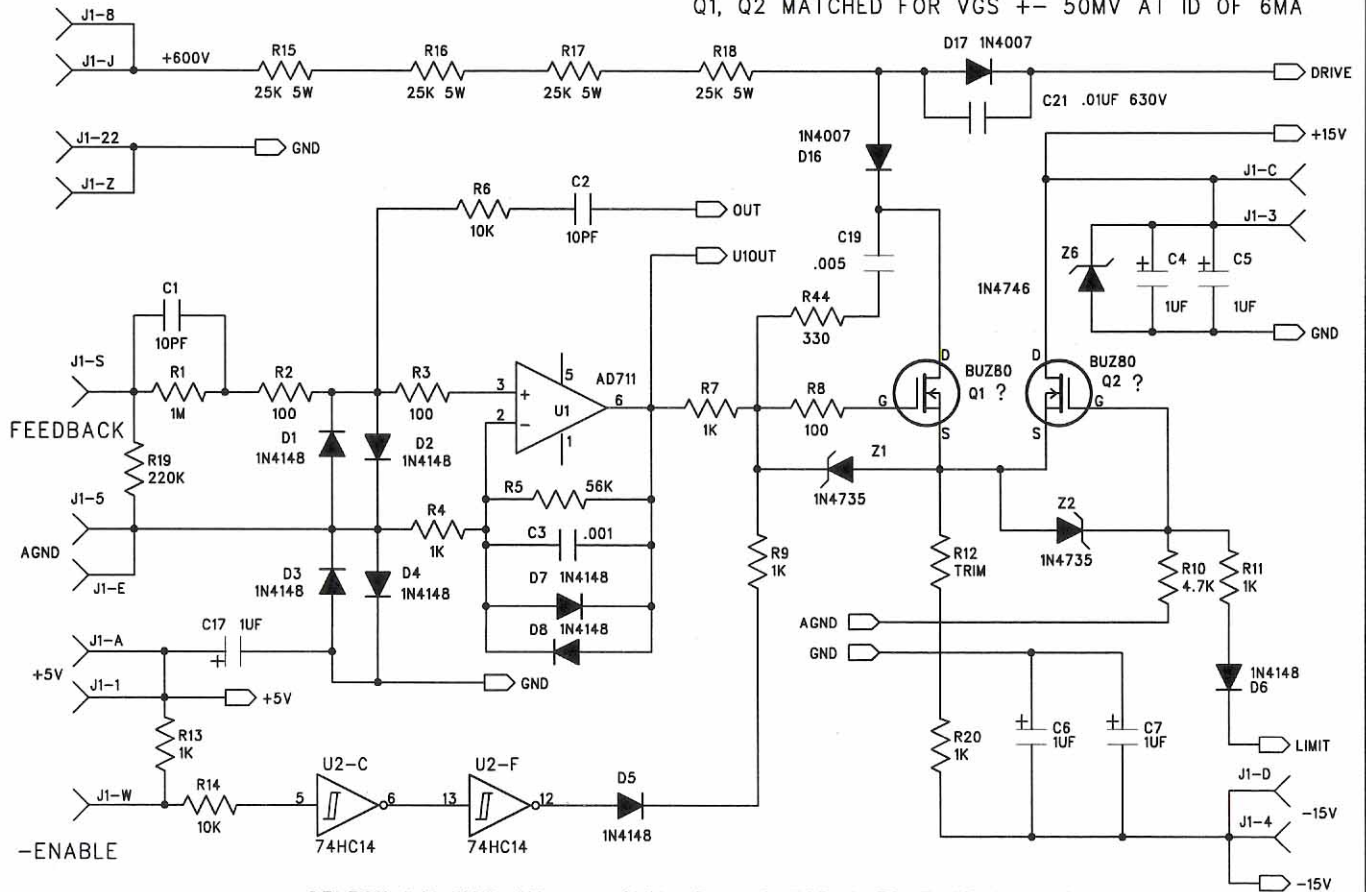


? = BT400B USES IRFBG20, 5 PLACES

Q1, Q2 MATCHED FOR VGS +/- 50MV AT ID OF 6MA



SELECT R12 FOR 0V +/- 2MV AT J1-S FOR OUTPUT OF 6V AND 10MA

TITLE B507B +500V FORCING SUPPLY CONTROL

Dwg# SB507B Rev 1.02 Date 02/01/05 Sheet 1 of 3 FROTHINGHAM ELECTRONICS CORP