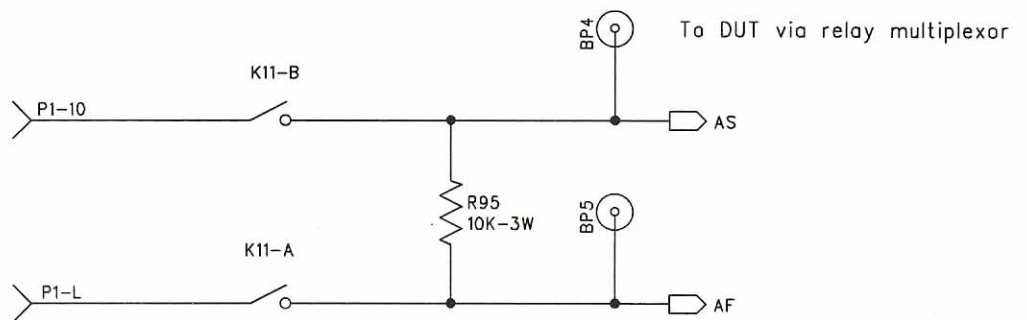


POLARITY SENSOR
B368 or equal



Binding posts
for connecting to multiplexor relay board

TITLE | B508C RELAY MATRIX FOR FEC200 DIODE TESTER

Dwg# SB508C | Rev 4.00 | Date 8-05-02 | Sheet 3 | of 12 | FROTHINGHAM ELECTRONICS CORP