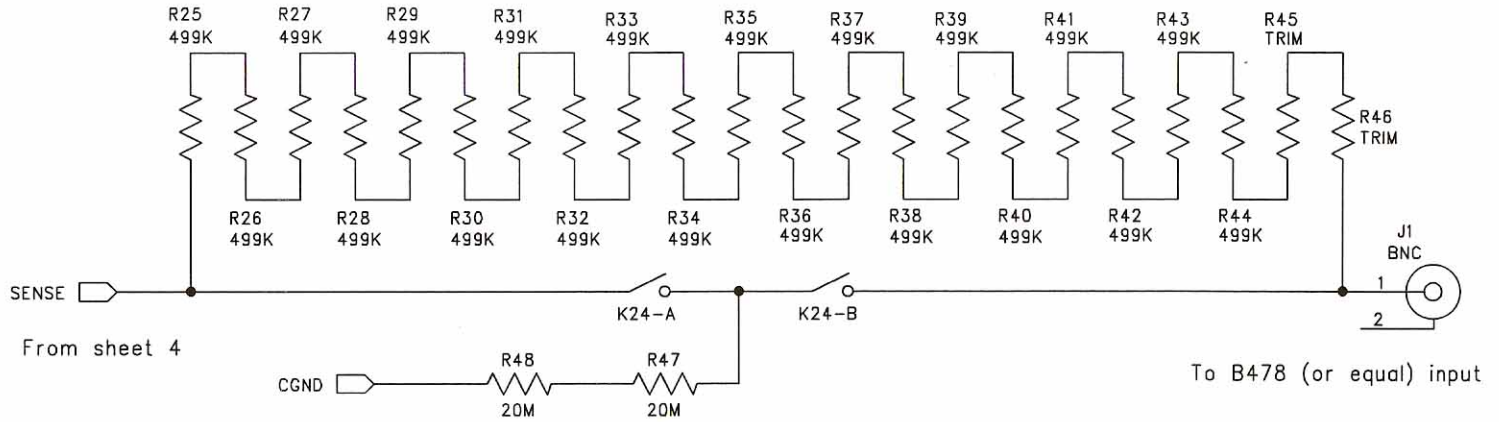
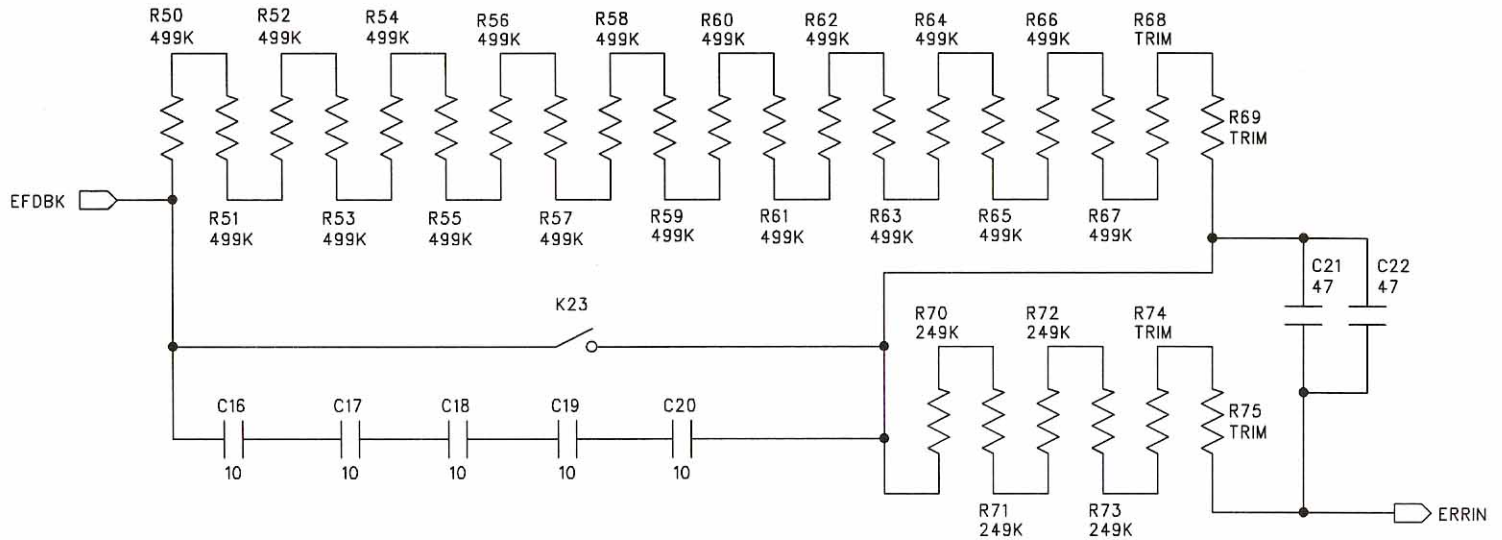


Voltage scaling resistor for use with 2KV supply only.

SELECT TRIMS TO ADJUST TOTAL VALUE TO 10.000M 0.03%



SELECT TRIMS TO ADJUST TOTAL VALUE TO 9.000M 0.05%



SELECT TRIMS TO ADJUST TOTAL VALUE TO 1.0000M 0.05%

To inputs of B507 and B411 or equals

TITLE B508C RELAY MATRIX FOR FEC200 DIODE TESTER

Dwg# SB508C Rev 3 Date 8-05-02 Sheet 5 of 12 FROTHINGHAM ELECTRONICS CORP