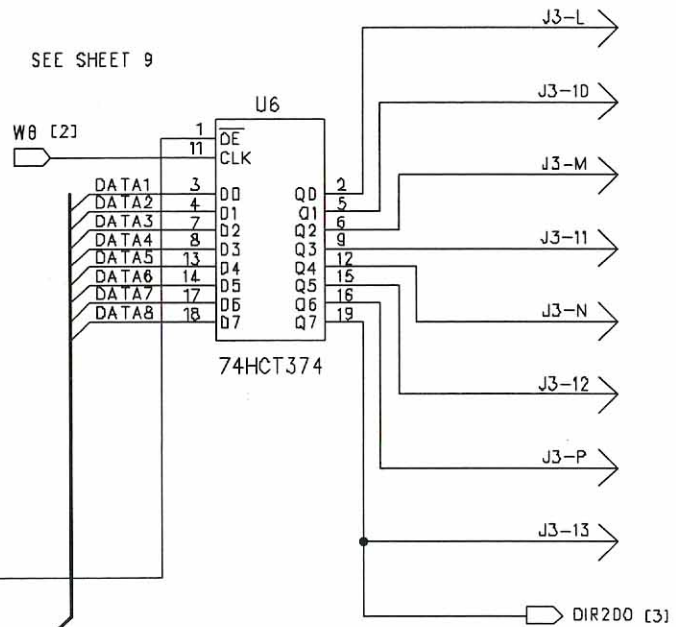


DATA[1:8]
[1,3]
[4,5]
[7,8]

8 BIT OUTPUT REGISTERS 7 & 8

SEE SHEET 9



TITLE B621 Tester control interface

Dwg# SB621

Rev 2.00

Date 05/18/06

Sheet 6

of 9

FROTHINGHAM ELECTRONICS CORP