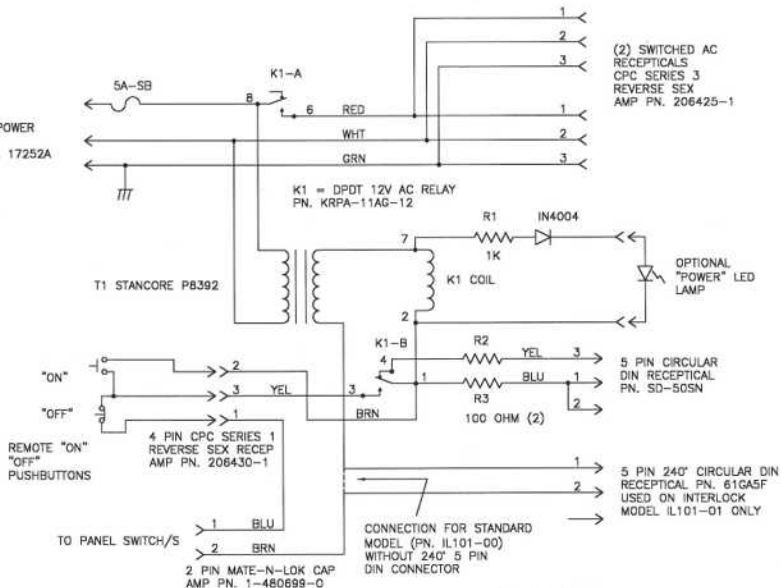


RECESSED POWER
RECEPTICAL
BELDEN PN. 17252A



FEC FROTHINGHAM ELECTRONICS CORP
 GENERAL PURPOSE POWER INTERLOCK CASE

DWG NO. W418
 REVISION 2.01

SHEET 1 OF 1
 DATE 08-02-01