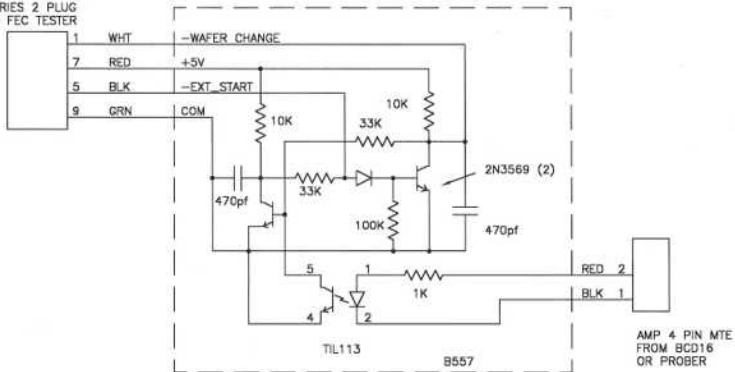


9 PIN AMP CPC
 SERIES 2 PLUG
 TO FEC TESTER



FEC FROTHINGHAM ELECTRONICS CORP
 C182 WAFER CHANGE SENSOR

DWG NO. WC182
 REVISION 1.01

SHEET 1 OF 1
 DATE 05-30-02